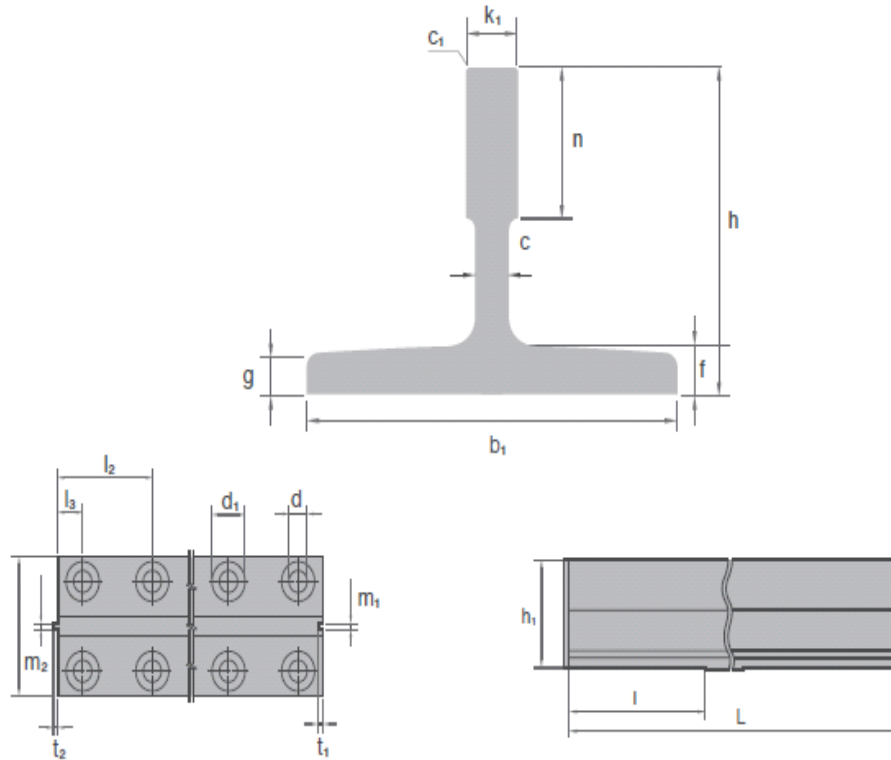


**DIMENSION**

UNIT : mm

Class	Standard Sectional Dimension										
	H	B	HD	D	E	F	L	J	I	K	W
9kg (18lbs)	63.50	63.50	32.10	17.48	35.72	10.30	28.16	101.6	50.8	15.90	5.90
12kg (25lbs)	69.85	69.85	38.10	19.85	37.70	12.30	31.15	101.6	50.8	15.90	7.54
15kg (30lbs)	79.37	79.37	42.86	22.22	43.65	13.50	35.32	101.6	50.8	19.05	8.33
20kg (40lbs)	88.90	88.90	47.62	25.79	47.23	15.88	39.69	127.0	63.5	22.22	9.92
22kg (45lbs)	93.66	93.66	50.80	26.99	50.00	16.67	41.67	127.0	63.5	22.22	10.70
30kg (60lbs)	107.95	107.95	60.33	30.95	57.55	19.45	42.22	127.0	63.5	23.80	12.30
37kg (75lbs)	122.24	122.24	62.71	36.12	21.43	64.69	53.78	127.0	60.5	25.40	13.49
DIN S-20	100.00	82.00	44.00	27.00	16.20	56.80	44.60	90.0	35.0	22.00	10.00



**DIMENSION**

UNIT : mm

Class	$b_1$	$h$	$h_1$	$l$	$k_1$	$n$	$c$	$f$	$g$	$m_1$	$m_2$	$t_1$	$t_2$	$d$	$d_1$	$L$
	$\pm 1.5$	$\pm 0.75$	$\pm 0.04$	$\begin{matrix} +10 \\ 0 \end{matrix}$	$\begin{matrix} 0 \\ -0.05 \end{matrix}$	$\begin{matrix} +3 \\ 0 \end{matrix}$		$\pm 0.75$	$\pm 0.75$	$\begin{matrix} +0.05 \\ +0.02 \end{matrix}$	$\begin{matrix} -0.02 \\ -0.05 \end{matrix}$	$\pm 0.2$	$\pm 0.2$			$\pm 2$
8K	78	56	55	160	10	26	7.0	8.5	6.0	3	3	3.5	3	14.0	28	5,000
13K	89	62	61	160	16	32	9.5	11.5	7.5	4	4	4.5	4	14.0	28	
18K	114	89	88	160	16	38	9.5	11.0	8.0	6	6	5.5	5	17.5	34	
24K	127	89	88	160	16	50	9.5	16.0	12.5	6	6	5.5	5	17.5	34	
30K	140	108	107	193	19	50	12.7	15.9	12.7	5.98	6	5.5	5	21.0	40	5,000
Class	$b_1$	$h$	$h_1$	$l$	$k_1$	$n$	$c$	$f$	$g$	$m_1$	$m_2$	$t_1$	$t_2$	$d$	$d_1$	$L$
	$\pm 1.5$	$\pm 0.75$	$\pm 0.03$	$\begin{matrix} +3 \\ 0 \end{matrix}$	$\begin{matrix} +0.05 \\ 0 \end{matrix}$	$\begin{matrix} +3 \\ 0 \end{matrix}$		$\pm 0.75$	$\pm 0.75$	$\begin{matrix} +0.03 \\ 0 \end{matrix}$	$\begin{matrix} 0 \\ -0.03 \end{matrix}$	$\pm 0.1$	$\pm 0.1$			$\begin{matrix} +2 \\ 0 \end{matrix}$
High speed 30K	140	108	107	193	19	50	12.7	15.9	12.7	6	5.98	5.5	5	21	40	5,000
High speed 37K	140	102	101	193	28.6	51	17.5	17.5	14.5	6.4	6.37	7.14	6.35	21	40	5,000